

Puerta de alto rendimiento plegable TrakLine™

Rite-Hite Doors ofrece la puerta plegable TrakLine para sus aberturas interiores y exteriores.

Para las puertas exteriores y las aberturas interiores más grandes, elija la puerta plegable TrakLine de Rite-Hite Doors. Su velocidad rápida de funcionamiento y cierre automático permiten que el personal y el equipo se muevan con rapidez para mejorar la productividad. El sistema de liberación de cortinas V-Flex™ permite que la cortina se separe del riel flexible ante un impacto para proteger al personal, la carga y al equipo. Los estabilizadores de cortina duraderos proporcionan una excelente resistencia al viento. El sello sustancial permite reducir los costos de energía.

Velocidad rápida de apertura y cierre

La velocidad de apertura a 40" por segundo (1 m/seg.) ayuda a mejorar la eficiencia operativa.

Innovador sistema de liberación de cortinas V-Flex™

Permite que la cortina soporte los impactos al minimizar los daños y el tiempo de inactividad.

Comunicación

Rite-Hite Doors dispone de una serie de productos de comunicación por luces que ayudan a reducir los accidentes por colisión que se suelen producir entre los montacargas y los peatones. Disponibles LED Countdown, LED Pre-Announce y LED Virtual Vision.

Diseño simple y de poco mantenimiento

Sin barras inferiores pesadas, bordes de inversión ni cables espirales.

Sello sustancial

Ayuda a proporcionar una separación ambiental y protección contra las condiciones climáticas.

Funciona en condiciones de vientos fuertes

Ofrece un diseño plegable y estabilizadores horizontales.

Opción de separación

Se puede elegir entre la separación estándar de dos vías o la separación de una vía para el espacio libre de apertura total.



Interfaz gráfica de usuario (GUI)



Especificaciones

Velocidad

Se abre y se cierra hasta a 40"/seg. (1 m/seg.)

Tamaño

Mínimo: 5'0" ancho x 7'0" alto (1525 mm x 2135 mm)

Máximo: 16'0" ancho x 16'0" alto (4876 mm x 4876 mm)

Borde inferior

Parte inferior liviana incorporada en una cortina de tela. La puerta se libera ante un impacto y vuelve a introducirse automáticamente en el riel. No hay ninguna caja de ensambles ni cables espirales conectados al borde inferior.

Material de la cortina

Cortina fabricada de tejido de poliéster recubierto de PVC de 25 oz. Colores estándar de cortina: azul y gris. Paneles ovalados de visión termosellados opcionales.

Bastidores laterales

Los bastidores laterales, con proyección de 14" (355 mm) x 5" (127 mm) de ancho, están fabricados de acero formado de calibre 14 con pintura de poliuretano negro y cubiertas de polietileno corrugado negro. El riel flexible mide 5" (127 mm) de ancho y está fabricado con tela de poliéster negro resistente. En el caso de la separación de dos vías, el riel flexible tiene una abertura de 5" (127 mm) a cada lado. En el caso de la separación de una vía, se requiere un espacio libre adicional de 5 3/8" (136 mm) para el riel (10 3/8" [263 mm] en total de cada lado). Mecanismo de restablecimiento automático fabricado de material de polietileno.

Requisitos eléctricos

Trifásico: 208 V, 230 V, 415 V (50 Hz), 460 V, 575 V

Sellado

Sello superior de tela. El loop de tela sella el borde inferior en el piso.

Tubo de transmisión

Tubo de acero de calibre 13 de 4" (101 mm) de diámetro montado en dos cojinetes de brida autoalineables de precisión.

Sistema de tracción

Caja de engranajes de transmisión directa montada en el eje con motor/sistema de frenos incorporado de 1 HP 1650 rpm, controlada a través del controlador digital i-COMM™ 3.

Interfaz gráfica de usuario (GUI)

La única interfaz de pantalla táctil LCD de 7" (178 mm) de la industria que proporciona mayor seguridad, ya que permite al usuario acceder de manera sencilla a la configuración de la caja de controles sin necesidad de llevar los equipos de protección personal que se suelen exigir para obtener acceso a un panel eléctrico energizado.

Caja de control

- » Controlador digital de i-COMM™ 3, impulsor de frecuencia variable.
- » Precableada y probada en fábrica.
- » Fibra de vidrio estándar NEMA 4X.

Características de seguridad

La capacidad de separación de los rieles flexibles protege contra los daños provocados por impactos. El diseño de la cortina de tela evita el aprisionamiento. Dos células fotoeléctricas reversibles montadas en la parte interior controlan de manera continua la apertura de la puerta.

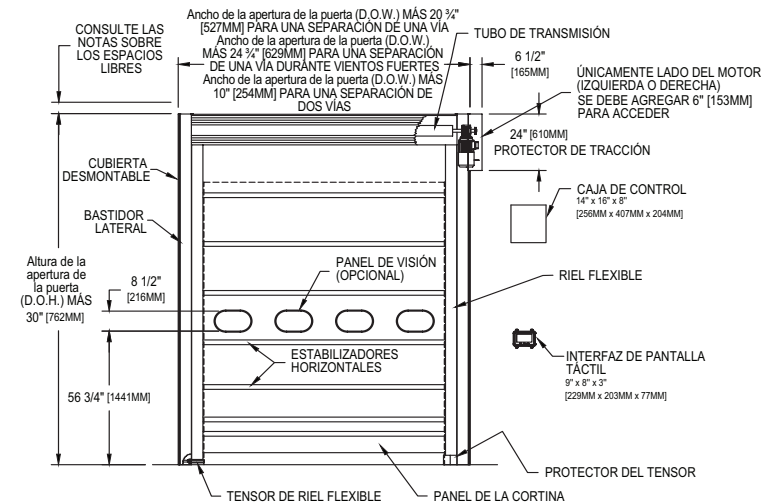
Garantía

Cinco (5) años para el motor, los frenos y la caja de engranajes.

Dos (2) años para todas las piezas mecánicas y eléctricas.

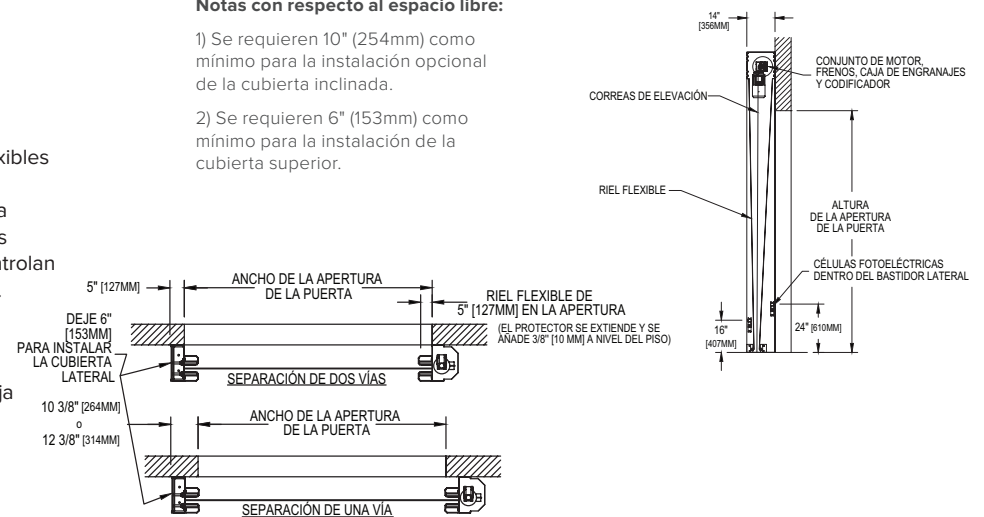
Un (1) año para el servicio.

PUERTA PLEGABLE TRAKLINE™



Notas con respecto al espacio libre:

- 1) Se requieren 10" (254mm) como mínimo para la instalación opcional de la cubierta inclinada.
- 2) Se requieren 6" (153mm) como mínimo para la instalación de la cubierta superior.



RITE·HITE®
ALWAYS LOOKING AHEAD

D20TFSS0619HIES

8900 North Arbon Drive
Milwaukee, WI 53223, EE. UU.

Tel. 414 355 2600 (800 456 0600)

Fax 414 355 9248

Rite-Hite®, TrakLine™, V-Flex™, i-COMM™ son marcas registradas de Rite-Hite Holding Corporation. Los productos Rite-Hite están protegidos por una o más patentes estadounidenses, mientras que otras patentes, tanto estadounidenses como extranjeras, se encuentran en trámite. La información que aquí se incluye se proporciona a modo de referencia general exclusivamente en relación con el uso de los productos correspondientes. Las especificaciones que se detallan en este documento están sujetas a cambios. Fabricado por: Rite-Hite Industrial Door Corporation.

www.ritehite.com

TrakLine™ Roll High Performance Door

Improve productivity, performance and efficiency with Rite-Hite's TrakLine Roll Door.

The TrakLine Roll Door from Rite-Hite Doors gives you all the benefits of high-speed operation and an exceptional lifetime value. Its rapid operating speed and automatic closing allow personnel and equipment to move through quickly for optimum productivity. If impacted, the TrakLine Roll Door instantly releases from the flexible track to help avoid damage and downtime. The door automatically re-feeds the curtain into the track, so you can continue efficient operation. The durable lightweight curtain helps protect your personnel and equipment from impact damage.

Fast opening and closing speed

Opening at 40" per second (1 m/sec) helps improve your operating efficiency.

Innovative V-Flex™ Curtain Release System

This helps curtain to withstand impact, minimizing damage and downtime.

Communication

Rite-Hite Doors has a series of light communication products to help reduce common collision accidents between forklifts and pedestrians. LED Countdown, LED Pre-Announce and LED Virtual Vision available.

Opti-Vu An intuitive digital tool for data-driven decision making

More than just sensors and data, the Opti-Vu™ platform monitors equipment, captures events, synchronizes vital information and facilitates data-driven behavioral and process change (subscription & additional hardware required).

Simple, low maintenance design

With no heavy bottom bars, reversing edges or coil cords

Reinsertion System

Automatically refeeds curtain after impact to help eliminate downtime.

Full-width vision panel

Provides enhanced visibility for added safety.

Lightweight curtain design

Helps protect personnel, cargo and equipment.



Graphic User Interface (GUI)

Specifications

Speed

Opens and closes up to 40"/sec (1 m/sec)

Size

Minimum – 5'0" w x 7'0" h (1525 mm x 2135 mm)

Maximum – 12'0" w x 14'0" h (3650 mm x 4265 mm)

Bottom edge

Lightweight bottom enclosed in fabric curtain. Door releases upon impact and automatically refeeds into the track. No junction box or coil cords are attached to bottom edge.

Curtain material

Curtain made of 25 oz. PVC coated polyester fabric and comes complete with an 18" (457 mm) high full-width vision panel. Standard curtain colors: blue and gray.

Sealing

Fabric top seal. Fabric loop seals bottom edge at the floor.

Side frames

Side frames, 14" (355 mm) projection x 5" (127 mm) wide, are formed 14 gauge steel with black polyurethane paint and black corrugated polyethylene covers. Flexible track is 5" (127 mm) wide and is constructed of heavy-duty black polyester fabric. For two-way breakaway, flexible track is 5" (127 mm) in opening on each side. For one-way breakaway, additional 5 3/8" (136 mm) of side clearance is required for track (10 3/8" (263 mm) total per side). Auto re-feed mechanism constructed of polyethylene material.

Electrical requirements

Three-Phase – 208V, 230V, 400V (50Hz), 460V, 575V

Roller tube

4" (101 mm) diameter, 13 gauge steel tube mounted on two precision self-aligning flange bearings.

Drive system

1 HP, 1650 rpm motor with a 12:1 gearbox reduction is controlled i-COMM™ 3 Digital Controller.

Graphic User Interface (GUI)

Industry's only 7" (178 mm) LCD touch screen interface that provides increased safety by allowing an individual to simply access the control box settings without wearing the necessary PPE often required for accessing a live electrical panel.

Control box

- » i-COMM™ 3 Digital Controller, variable frequency drive.
- » Pre-wired and factory tested.
- » Standard fiberglass NEMA 4X.

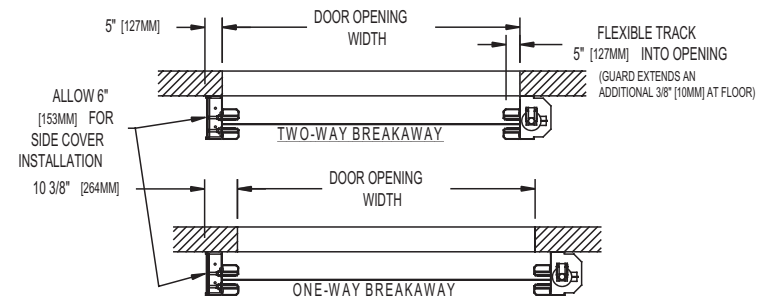
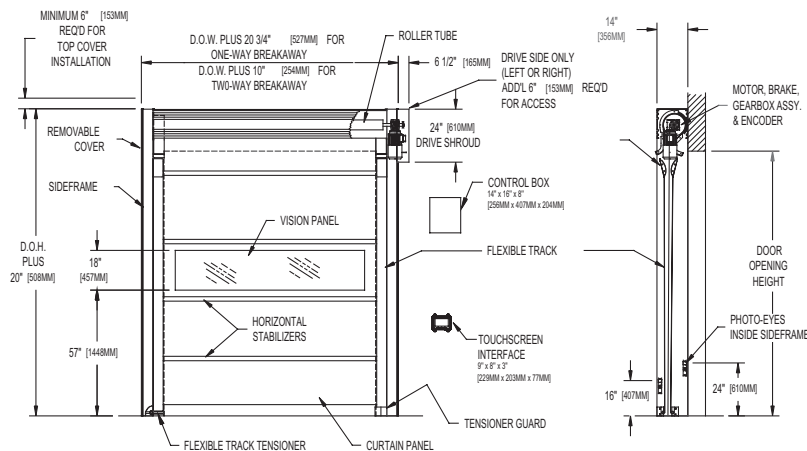
Safety features

Lightweight curtain design and breakaway capability help protect against impact damage and eliminate entrapment concerns. Full-width vision standard. Two internally mounted reversing photo eyes continuously monitor the door opening. Automatic re-feed helps eliminate ergonomic reattachment concerns.

Limited warranty

Five (5) Year for motor, brake and gearbox.
Two (2) Year on all mechanical and electrical parts.
One (1) Year labor.

TRAKLINE™ ROLL DOOR



RITEHITE
ALWAYS LOOKING AHEAD

D23TRSS0103G1

Milwaukee, Wisconsin, USA

www.ritehite.com

P 414-355-2600 (800-456-0600)

F 414-355-9248

Rite-Hite®, TrakLine™, V-Flex™, i-COMM™ and Opti-Vu™ are trademarks of the Rite-Hite Holding Corporation. Rite-Hite products may be covered by one or more U.S. Patents with other U.S. and foreign patents pending. Patent coverage: www.ritehite.com/patents. The information herein is provided as a general reference only regarding the use of the applicable products. The specifications stated here are subject to change. Manufactured by Rite-Hite Doors, Inc.

TrakLine™ PLUS Fold Door

TrakLine PLUS Door takes efficiency to the next level.

Get the TrakLine Plus Door from Rite-Hite Doors for your larger, high demand openings. Rapid operating speed and automatic closing allow personnel and equipment to move through quickly for improved productivity. If impacted, the TrakLine Plus Doors innovative flexible V-Flex™ track releases the curtain to minimize damage and downtime. The durable curtain stabilizers provide excellent wind resistance, and the substantial seal saves energy costs.

High-cycle productivity

for larger openings up to 400 square feet (37 m²).

Fast opening and closing speed

at 40" per second (1 m/sec) helps improve your operating efficiency.

Innovative V-Flex™ Curtain Release System

helps curtain to withstand impact, minimizing damage and downtime.

Simple, low maintenance design

with no heavy bottom bars, reversing edges or coil cords.

Substantial seal

helps provide environmental separation and weather protection.

Operates in high winds

with fold-up design and horizontal stabilizers.

Breakaway option

two-way breakaway is standard with one-way breakaway optional for the full opening clearance.

Manufactured under license from Maviflex S.A.



Specifications

Speed

Opens and closes up to 40"/sec (1 m/s)

Size

Minimum: 10'w x 10'h (3048 mm x 3048 mm)

Maximum: Total opening size of 400 sq ft (37 m²) 24 linear ft (7315 mm) in either direction

Bottom edge

Reinforced bottom enclosed in fabric curtain. Door releases upon impact to help minimize damage. No junction box or coil cords are attached to the bottom edge.

Curtain material

Curtain made of 25 oz. PVC with acrylic top coat, coated polyester fabric. Standard curtain colors: gray and blue. Optional heat-sealed oval vision panels.

Sealing

Curtain is attached to header for tight top seal. Fabric loop seals bottom edge at the floor.

Side frames

22" (558 mm) projection x 7 1/2" (190 mm) wide are formed 10 gauge steel with black steel side frame covers. Flexible track is 6" (152 mm) wide and is constructed of heavy-duty black polyester fabric. For two-way breakaway, flexible track is 6" (152 mm) in opening on each side. For one-way breakaway, additional 7 1/2" (190 mm) of side clearance is required for flexible track (15" (381 mm) total per side).

Roller tube

5" (127 mm) diameter, 11 gauge steel tube mounted on two precision self-aligning flange bearings.

Drive system

2 HP, 1725 rpm motor with a 13:1 gearbox reduction and integral brake is controlled i-COMM II™ Digital Controller.

Electrical requirements

Three-Phase – 208V, 230V, 400V (50Hz), 460V, 575V

Control box

The i-COMM II Digital Controller, displaying real-time door status with variable frequency drive. Controls are integral to the side frame and are fuse protected. Standard controls include

open/reset button, curtain jog button and a mushroom emergency stop. Optional control box has a NEMA 4X rating and is required on all externally mounted doors.

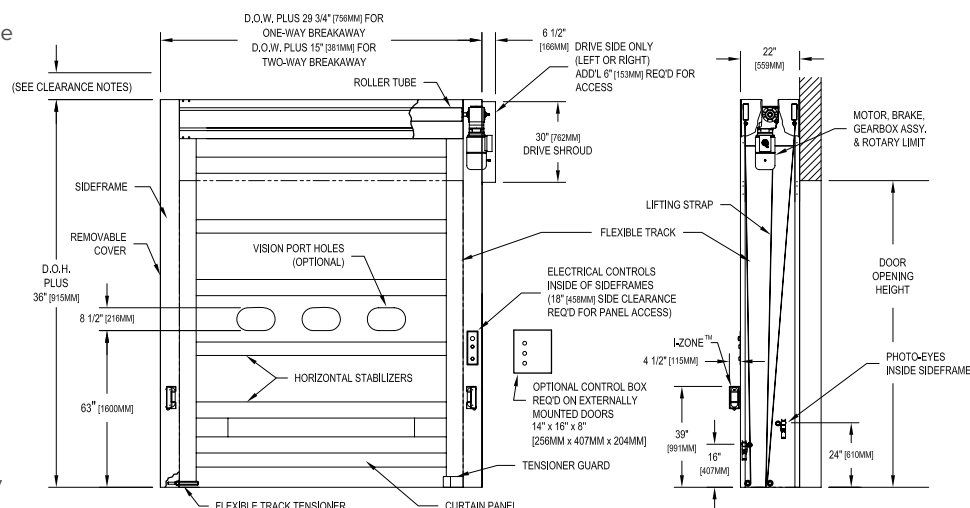
Safety features

Breakaway capability helps protect against impact damage. Fabric curtain design helps eliminate entrapment concerns. Two internally mounted thru-beam reversing photo eyes continuously monitor the door opening. Optional vision available to increase visibility at the opening.

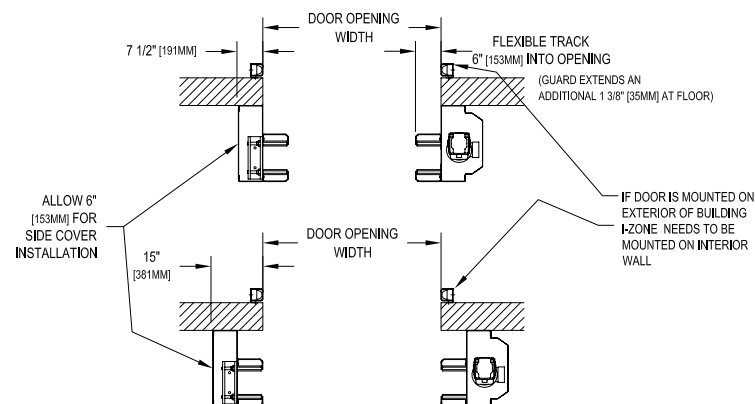
Warranty

Limited 1 year parts and labor. Rite-Hite Doors also offers an exclusive 1-year money-back guarantee of customer satisfaction.

TrakLine™ PLUS Door



Two-Way Breakaway



D19TPLSS1115H1

8900 North Arbon Drive
Milwaukee, WI 53223, USA

P 414-355-2600 (800-456-0600)

F 414-355-9248

Rite-Hite®, TrakLine™, V-Flex™, i-COMM™ are trademarks of Rite-Hite Holding Corporation. Rite-Hite products are covered by one or more U.S. patents with other U.S. and foreign patents pending. The information herein is provided as a general reference only regarding the use of the applicable products. The specifications stated here are subject to change.

www.RiteHite.com