

# Fan-Commander® Touch Screen Control

Control up to 24 Rite-Hite HVLS Fans from a single location



## Control

- » Wireless communication and diagnostic monitoring between controller and fans
- » For multiple fans, a mesh network is created to pass the wireless signal from one fan to another, up to 400' between fans
- » Single location, touch screen control of up to 24 Rite-Hite ceiling-mounted HVLS Fans within one facility
- » Four zones allow fans to be controlled simultaneously or independently
- » Adjust fan speed in 1% increments between 20% and 100%
- » View individual fan settings (On/Off + Speed)
- » Password protection prevents unauthorized adjustment of settings
- » Customizable 7-day scheduling. Save energy by only operating fans when needed
- » Optional sensor adjusts fan operation based on ambient temperature
- » 120V 1 ph
- » Dimensions: 8"W x 6"H x 2.2"D with a screen size of 7" measured diagonally (excludes external antenna)
- » Internal battery retains custom settings in the event of a power failure



Access controls remotely from a PC or mobile device

## System Integration

- » Optional I/O Module allows integration to automation system
- » Integrates with BMS using BACnet or discrete I/O
- » Standard Ethernet connectivity allows remote control access from a PC or mobile device



Fan-Commander controls most Rite-Hite HVLS Fans

# Specifications/Survey

Date \_\_\_\_\_  
 Company Name \_\_\_\_\_  
 Address \_\_\_\_\_  
 City \_\_\_\_\_  
 State \_\_\_\_\_ Zip Code \_\_\_\_\_  
 Representative \_\_\_\_\_  
 Salesperson \_\_\_\_\_  
 Quantity \_\_\_\_\_ Signature \_\_\_\_\_

## Fan-Commander® Touch Screen Control

### Shipment Destination

- North America
- International

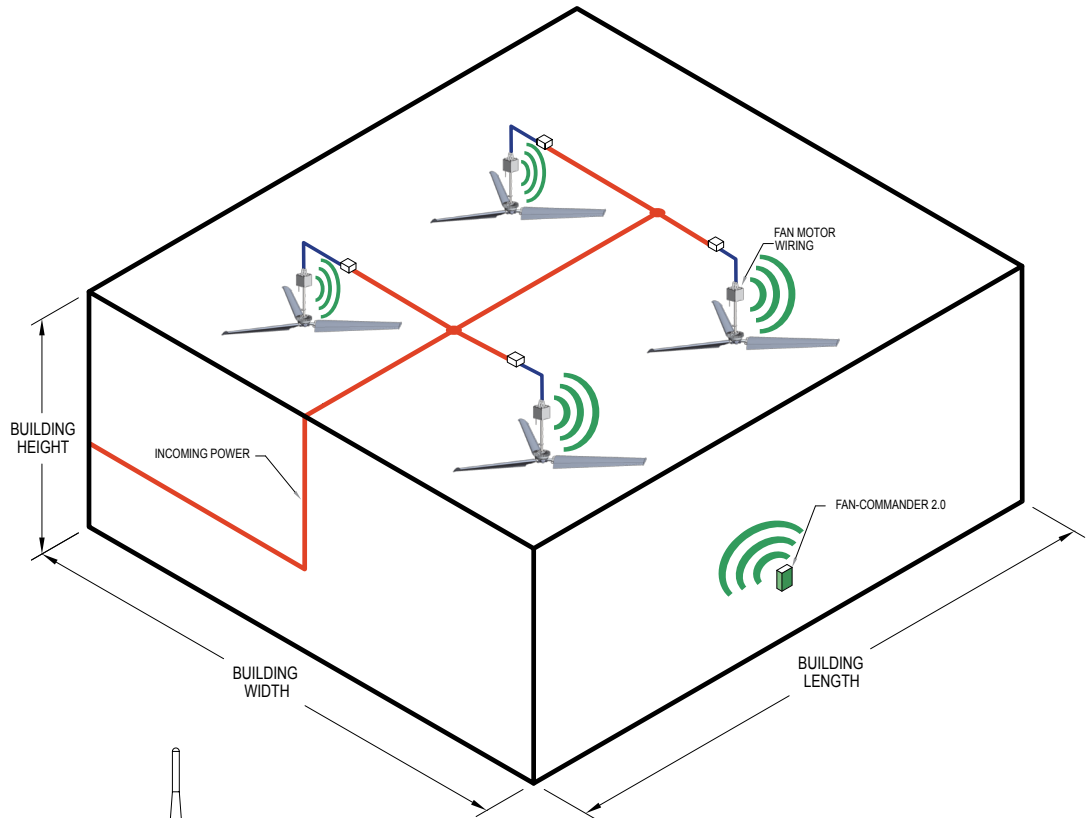
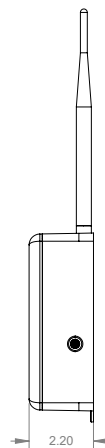
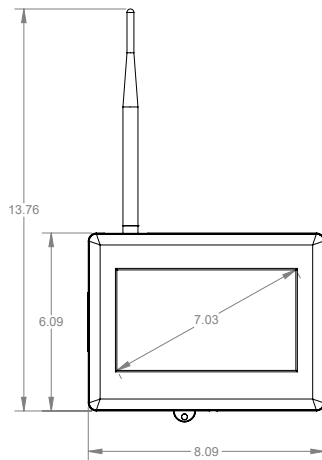
### Input/Output Module Option

- Yes
- No

### Temperature Probe Quantity

*One probe per zone, max 4*

- 0
- 1
- 2
- 3
- 4



A19FC2SS0422H4

8900 North Arbon Drive  
 Milwaukee, WI 53223, USA

P 414-355-2600 (800-456-0600)

F 414-355-9248

Rite-Hite® and Fan-Commander® are trademarks of Rite-Hite Holding Corporation. Rite-Hite products are covered by one or more U.S. patents with other U.S. and foreign patents pending. The information herein is provided as a general reference only regarding the use of the applicable products. The specifications stated here are subject to change. Manufactured by: Rite-Hite Engineered Solutions Group, Inc.

[www.RiteHite.com](http://www.RiteHite.com)